

# DESCRIPTION:

# TARGET MODEL: H4D

The H4D eScore target is designed for small caliber rifle and pistol sports shooting. It is great for ranges up to 100 meters. And can be used for both competitions and training.

The target is based on acoustic closed chamber technology. The target has an automatic feeding of the target rubber and an acoustic sensor in each corner, ensuring an excellent accuracy of each shot. The solution has the following advantages:

- Extreme accurate scoring
- Automatically adapt to caliber and projectile speed
- Possibility to install targets side-by-side, without reduction of system performance or scoring accuracy
- Scoring accuracy not affected by weather
- Affordable

The target has an armor plate protecting the internal components. The armor is designed to withstand a minimum of 9mm pistol ammunition.

The target is one of several target models for the **Kongsberg eScore** system.

The targets for Kongsberg eScore automatically adapt to the shooting distance and the caliber in use. In addition, a Built in Test (BiT) is continuously running to detect any faults or reduced performance.

The **Kongsberg eScore** system and its targets are based on communication on the TCP/IP protocol. This way, numerous networking equipment are available to setup a shooting range. Both wired and wireless options exist.

The **Kongsberg eScore** systems automatically connects to the Kongsberg Cloud services (if the system is connected to internet) – thus utilizes several new ground-breaking features.



## RECOMMENDED USE:

- Small caliber rifle (.22LR) and pistol shooting (9mm)
- Ranges: Rifle 50 / 100 meters | Pistol 25 / 50 meters
- Subsonic and Supersonic ammunition

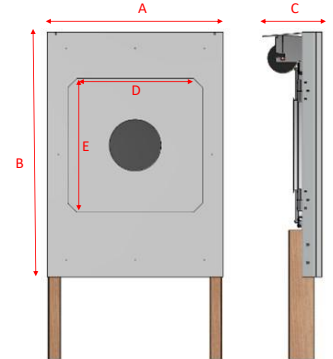
## TECHNICAL:

### Dimensions:

A.....	680mm
B.....	950mm
C.....	205mm

### Detection area:

C.....	515mm
D.....	515mm



## SPECIFICATION:

Temperature:	-30°C to +60°C
Armor:	Additional armor for protection up to .308 rifle ammunition can be attached.
Weight:	30kg +/-1.5kg (without stand and additional armor)
Accuracy:	Equal to or better than the ISSF requirements for 25-meter pistol and 50-meter rifle (ISSF Level 1 certification is pending).